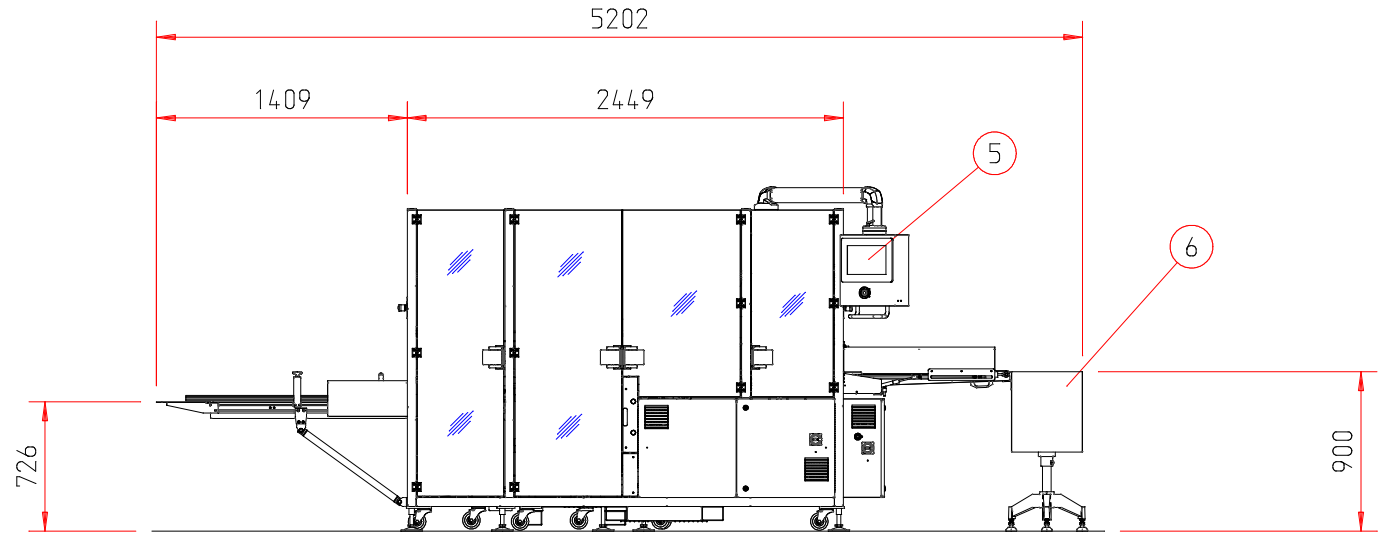
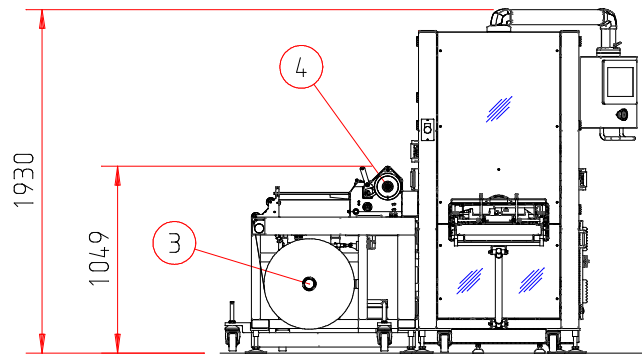
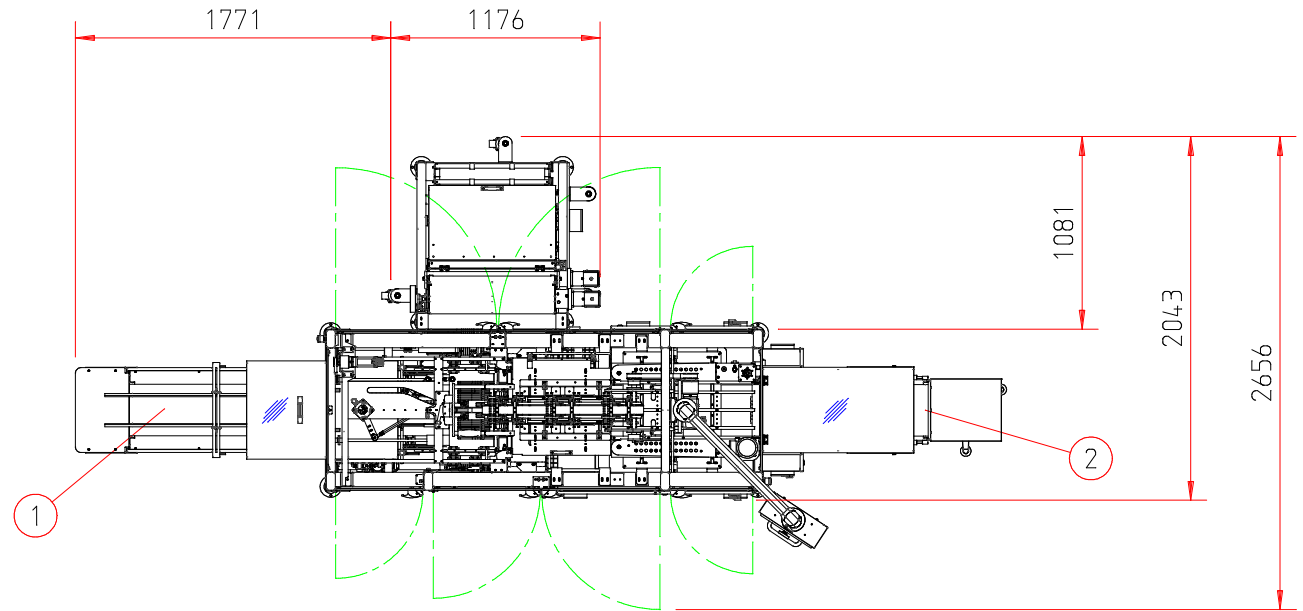


- 1 - 2M RETRACTING NOSE INFEED CONVEYOR
- 2 - 1M OUTFEED CONVEYOR
- 3 - FILM REEL & THREAD UP
- 4 - ROTARY KNIFE
- 5 - HMI
- 6 - OUTFEED COLLECTION BIN



ALL DIMENSIONS ARE APPROXIMATE

				MARDEN						
				ME		CUSTOMER APPROVAL				
						APPROVED BY (PRINT NAME)				
				EDWARDS		APPROVED BY (SIGNATURE)				
						APPROVAL DATE				
A	11/04/18	0	DH	TITLE : FAST/FF/120 600		M/C NO : Q004	SCALE : 1:30	DATE : 11/04/2018	DRN : DH	APP :
ISSUE	DATE	E.D.I.	ISSUED BY	A3 SHEET - DO NOT SCALE FROM DRG				FLOOR PLAN NUMBER FP3525		A