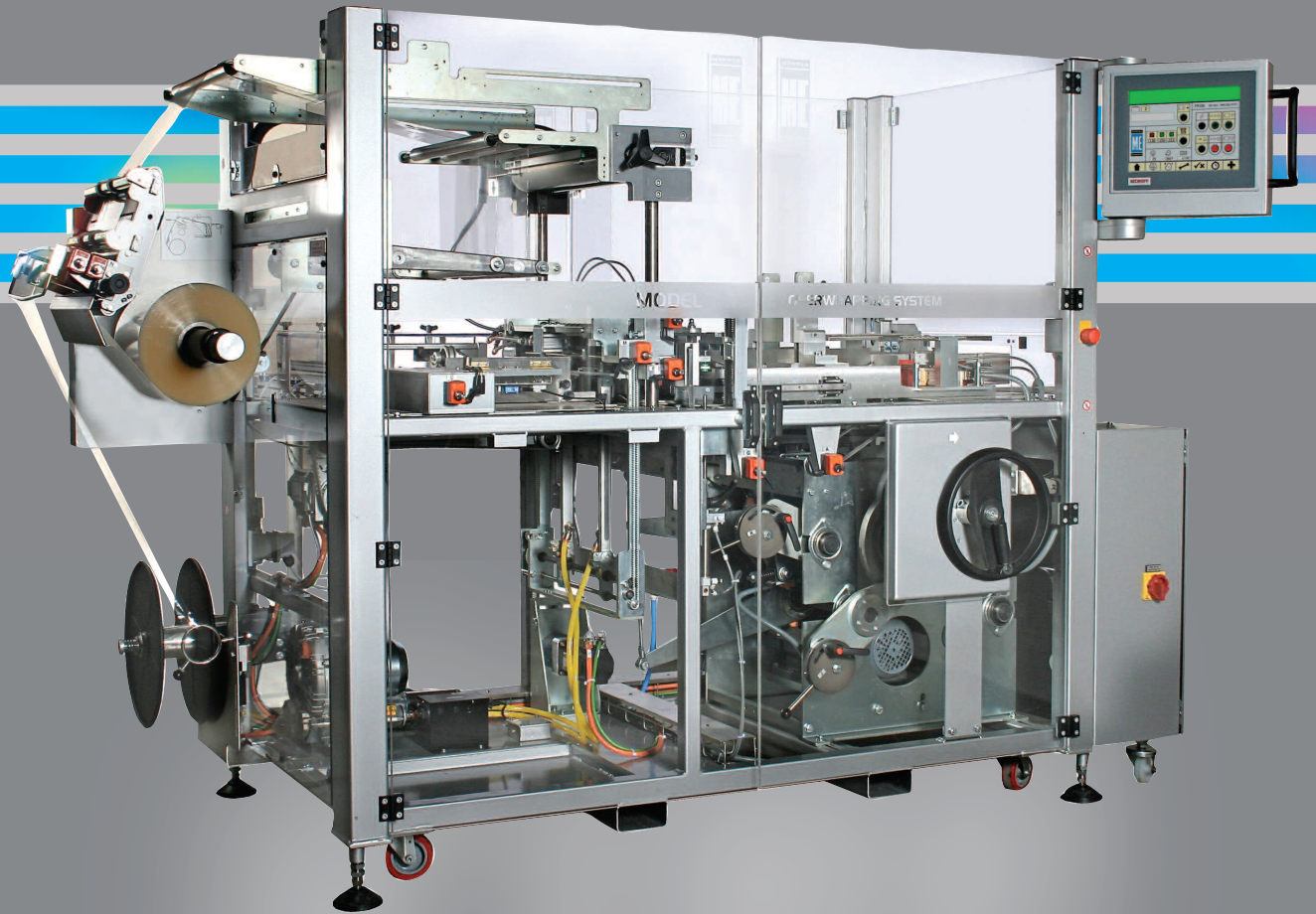
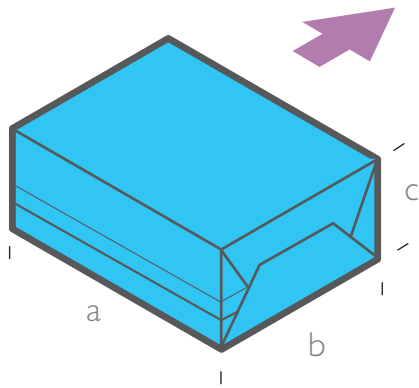


T M series overwrappers



overwrapping technology





model: TM 100 series

speed: 60 overwraps per minute maximum

'a' pack length: 45 - 300mm

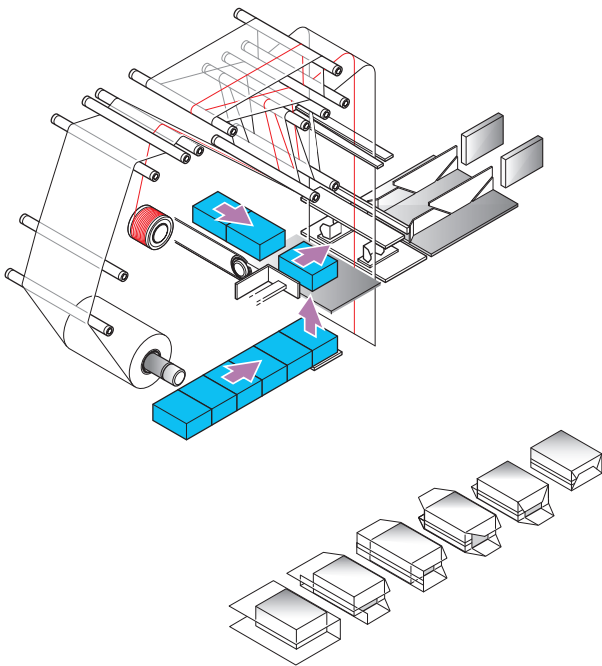
'b' pack width: 40 - 200mm

'c' pack height: 15 - 125mm

output speed depends on pack size.

other models, speeds and pack size capabilities available.

TM series overwrappers



standard fitments include:

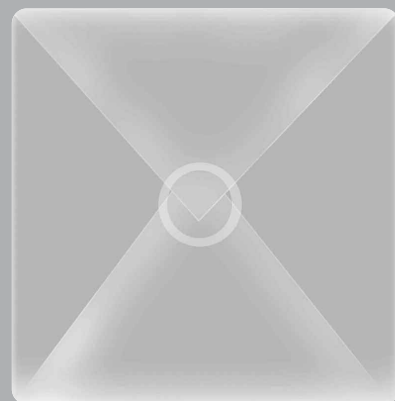
- servo driven film feed
- servo driven transfer pusher
- beckhoff control system
- external side loading film reel
- simple and fast pack size changeover

optional fitments include:

- tear tape applicator
- print registration facility
- dual film slitter with powered waste take-up
- flock finish on pack contact parts
- cosmetic quality spot or bar end seal profiles
- individual pack transportation through folding deck and end sealers
- pack infeed conveyor either inline or side entry
- allen bradley or siemens control system

all TM series overwrappers comply with international safety standards, are supplied fully guarded and CE marked.

for further information:
 tel: +44 (0)1202 861200
 fax: +44 (0)1202 861400
 email: info@mardenedwards.com
www.mardenedwards.com



optional cosmetic quality spot seal

Marden Edwards Limited 2 nimrod way, ferndown industrial estate, wimborne, dorset BH21 7SH uk
 Marden Edwards reserves the right to change any details without prior notice.