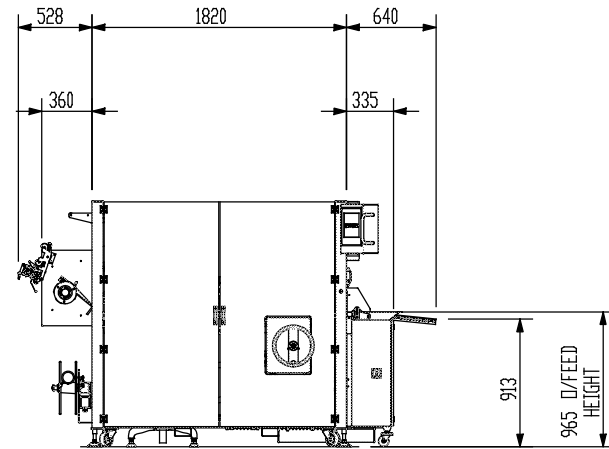
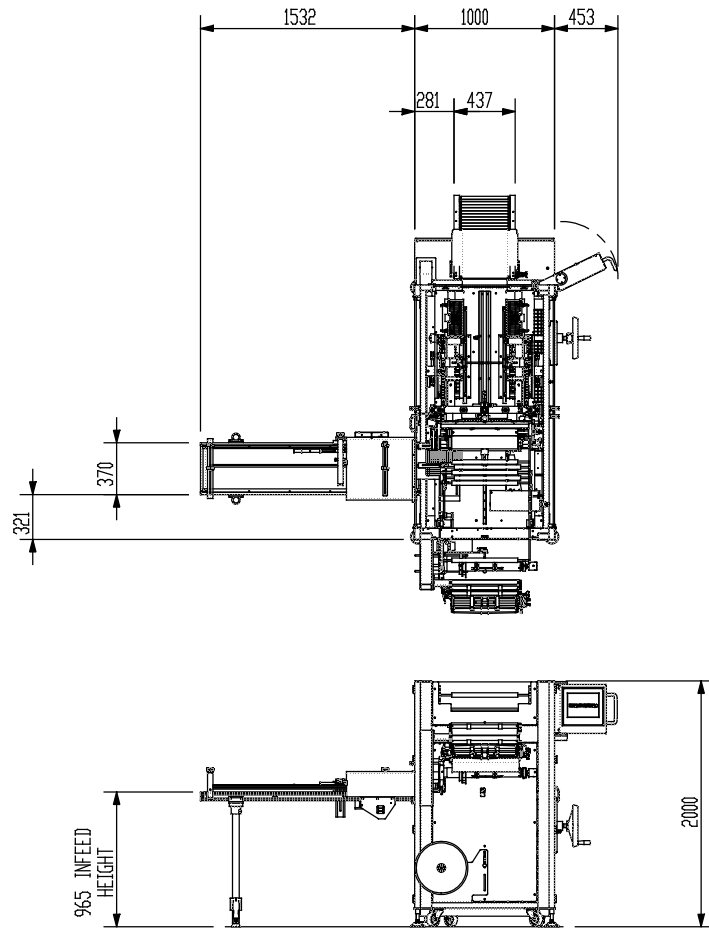


THIRD ANGLE PROJECTION



ALL DIMENSIONS ARE APPROXIMATE

				<b>MARDEN</b>	CUSTOMER APPROVAL				TITLE : TM100LH
				<b>ME</b>	APPROVED BY (PRINT NAME) :				SCALE : 1:30
					APPROVED BY (SIGNATURE) :				DATE : 30/10/07
ISSUE	DATE	EDI NO.	ISSUED BY	<b>EDWARDS</b>	APPROVAL DATE :				DRN BY : MAB
									APP BY :
									FLOOR PLAN NUMBER : FP2333