

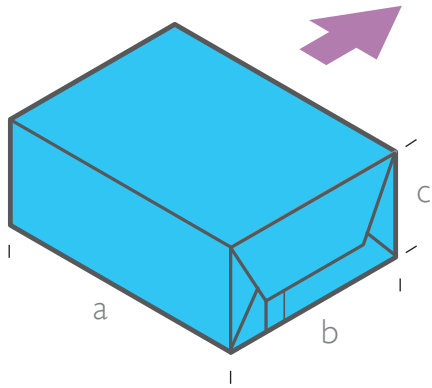


EVO series overwrappers



overwrapping technology

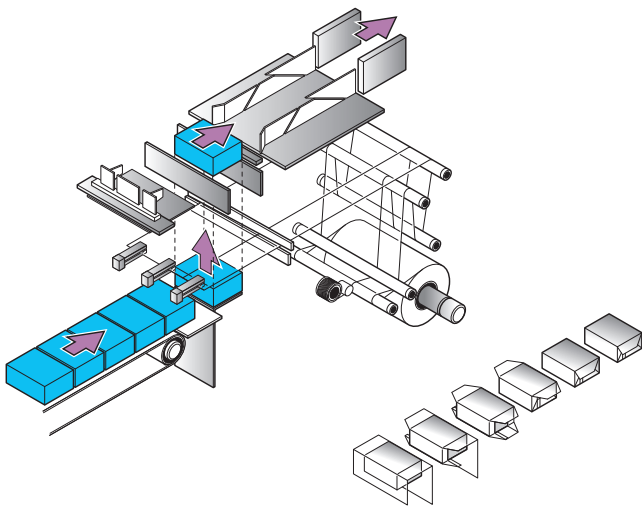




model:	EVO E125FF
speed:	45 overwraps per minute*
'a' pack length:	50-305mm
'b' pack width:	40-200mm
'c' pack height:	15-125mm

* maximum for this model, output speed depends on pack size. other models, speeds and pack size capabilities available.

E V O s e r i e s o v e r w r a p p e r s



standard fitments include:
 relay logic control
 mechanical gripper film pull system
 simple operation and maintenance
 large pack size capability
 external side loading film reel

optional fitments include:
 tear tape applicator
 print registration facility
 flock finish on pack contact parts
 profiled end sealer pads
 cosmetic quality spot or bar on end of seal profiles
 size changeover via change parts
 quick release size changeover via change parts

all EVO series overwrappers comply with international safety standards, are supplied fully guarded and **CE marked**.

for further information:
 tel: +44 (0)1202 861200
 fax: +44 (0)1202 861400
 email: info@mardenedwards.com
 www.mardenedwards.com

Marden Edwards Limited 2 nimrod way, ferndown industrial estate,
 wimborne, dorset BH21 7SH uk

Marden Edwards reserves the right to change any details without prior notice.

